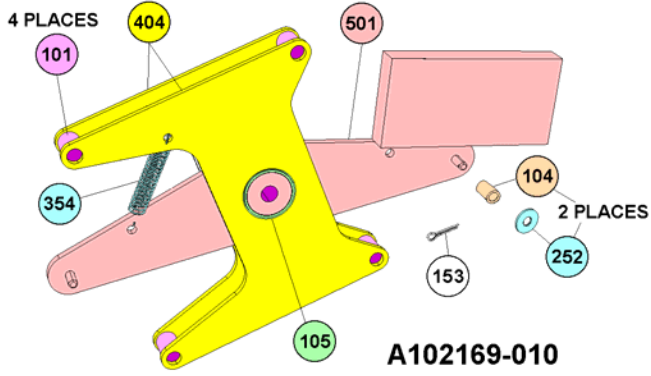
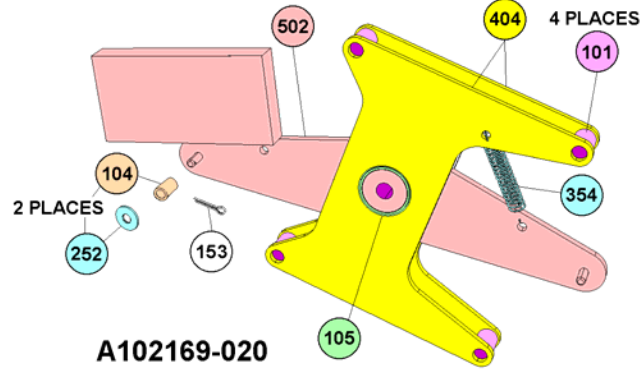


**DOOR SUB-ASSEMBLIES  
SKETCH 1**

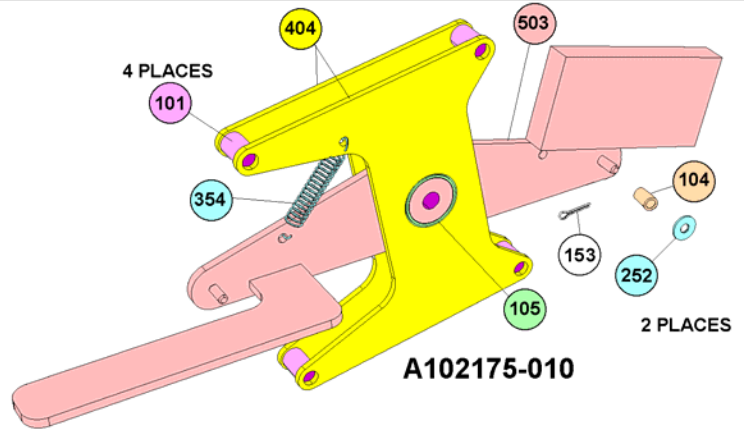


**A102169-010**

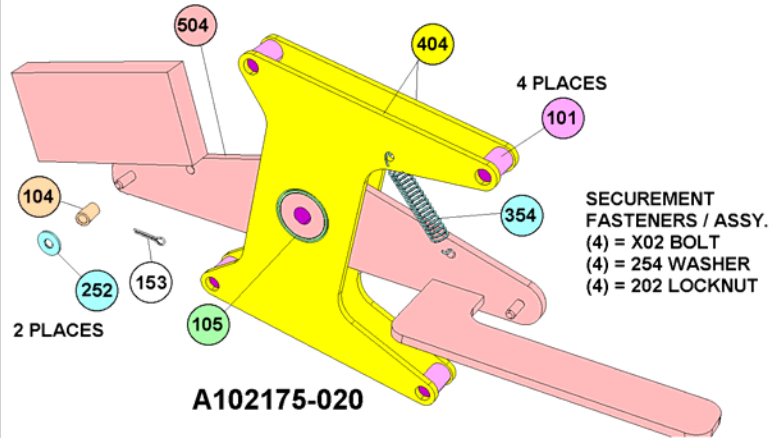


**A102169-020**

SECUREMENT FASTENERS / ASSY.  
(4) = X02 BOLT, (4) = 254 WASHER  
(4) = 202 LOCKNUT

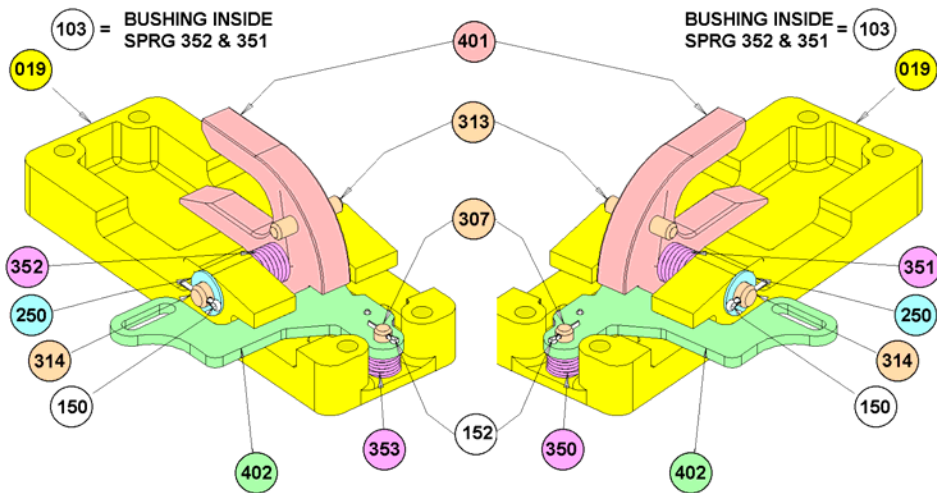


**A102175-010**



**A102175-020**

SECUREMENT FASTENERS / ASSY.  
(4) = X02 BOLT  
(4) = 254 WASHER  
(4) = 202 LOCKNUT



**A102165-010**

**A102165-020**

SECUREMENT FASTENERS / ASSY.  
(4) = X02 BOLT, (4) = 254 WASHER  
(4) = 202 LOCKNUT

**DOOR SUB-ASSEMBLIES  
SKETCH 2**